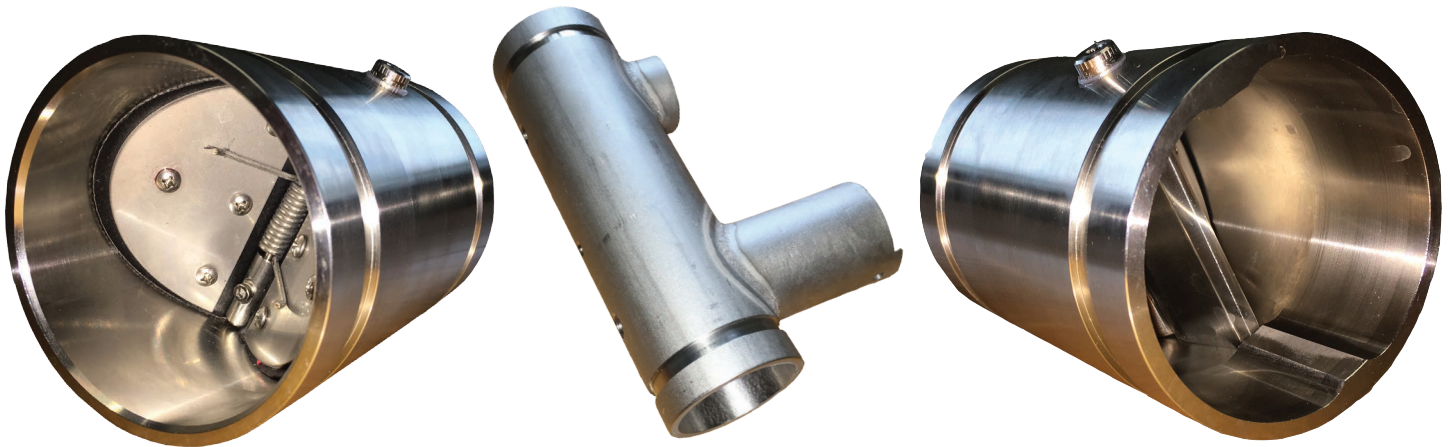




Alliance Metals Group

AMG Grooved Ends SS Check Valve

Industry Leading Durability



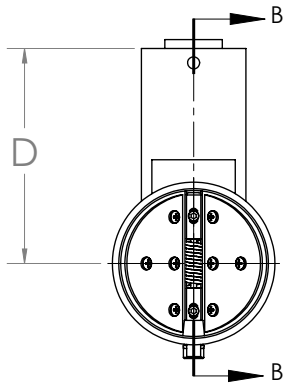
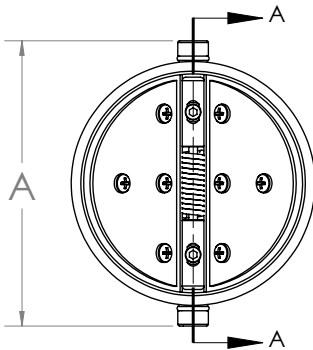
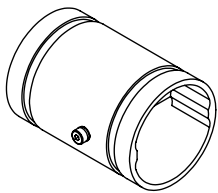
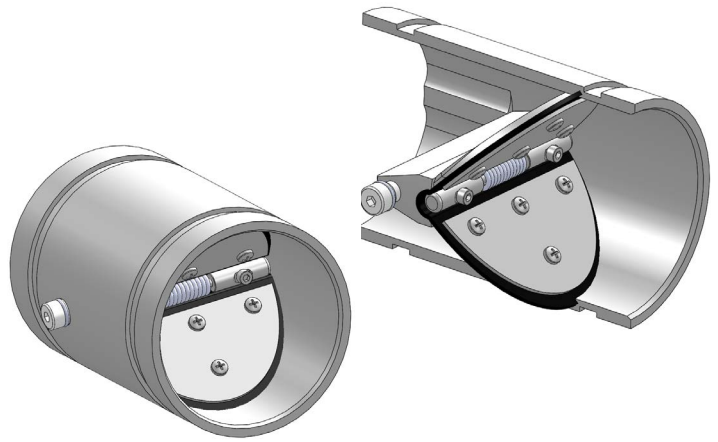
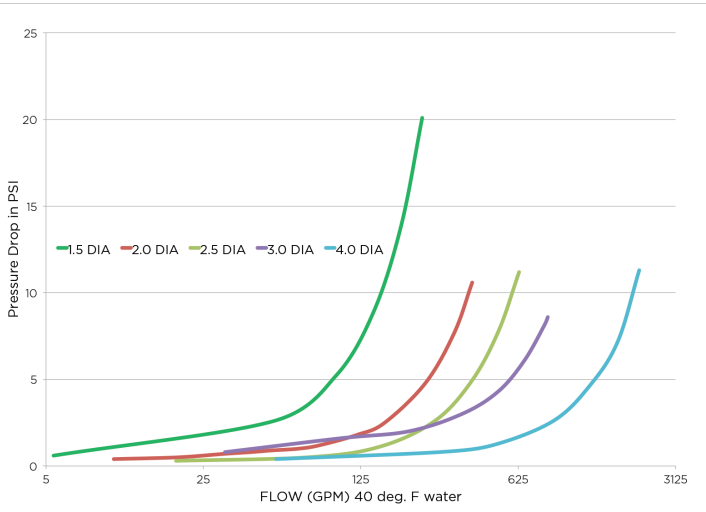
DESIGNED FOR FIRE APPARATUS

Alliance Metals Group (AMG) set out to provide a reliable heavy duty check valve specific for the Fire Apparatus industry. Considerations of higher operating pressure with low pressure loss (cv) were designed into our check valve. The AMG check valve can operate in higher pressure applications, while still maintaining a low pressure loss. AMG offers standard lengths for the grooved ends and the foam metered systems with grooved ends in five different pipe diameters. All production valves are assembled and tested on site prior to shipment.

INDEPENDENT LAB TEST/VERIFIED

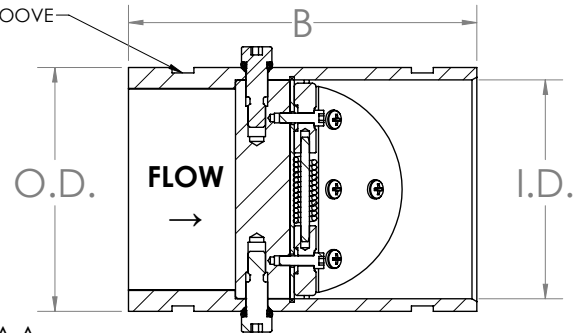
This design proto type was independently tested for max operating pressure and flow to guarantee AMG valves perform when it matters most.

- Maximum Working Pressure to 500 psi
- Victaulic® type connections
- Foam Metering Systems compatible
- 316 Stainless Steel Body
- 316 Stainless Steel Insert components
- Buna-N Seal
- Standard Sizes 1 ½" - 4"
- Lab Tested/Verified for Pressure & Flow
- Service Parts Available
- Custom material configurations and sizes are available; please consult AMG or your Sales Representative for all custom orders



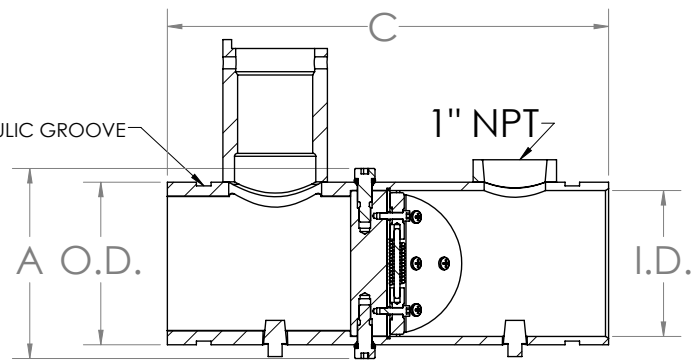
NOMINAL SIZE	O.D.	I.D.	A	B	C	D
1 1/2"	1.90"	1.66"	2.46"	4.00"	X	X
2"	2.38"	2.12"	2.95"	4.00"	9.50"	4.07"
2 1/2"	2.88"	2.52"	3.47"	4.00"	9.50"	4.32"
3"	3.50"	3.14"	4.10"	5.00"	9.50"	4.63"
4"	4.50"	4.15"	5.09"	5.00"	10.50"	5.10"

STD VICTAULIC GROOVE



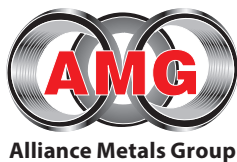
SECTION A-A

STD VICTAULIC GROOVE



SECTION B-B

DIMENSIONS SUBJECT TO CHANGE



1680 Barnard Dr.
Omro, WI 54963

www.amgomro.com

(920) 685-0722

*Manufacturers warranty for one year of intended service.
NOT Intended to be used with Gas service applications.